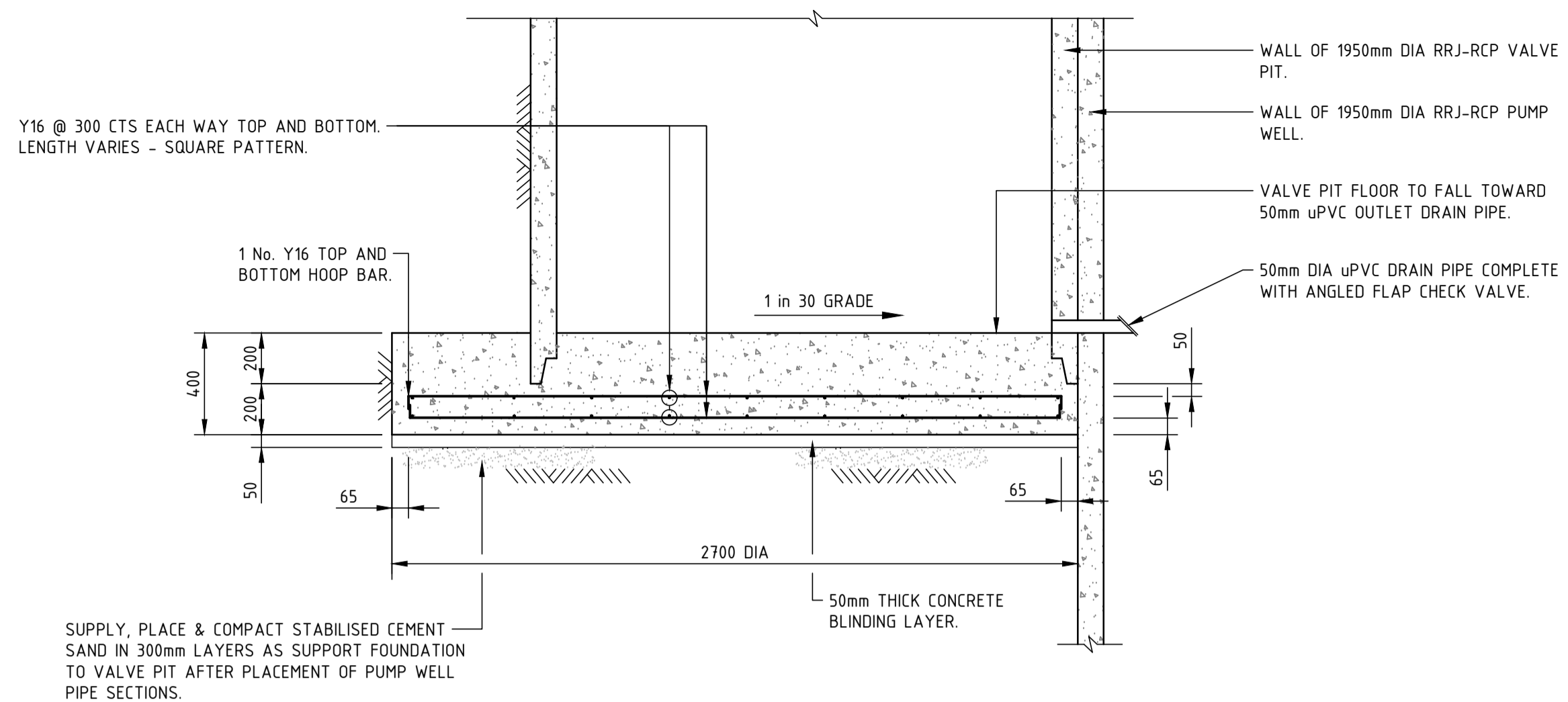
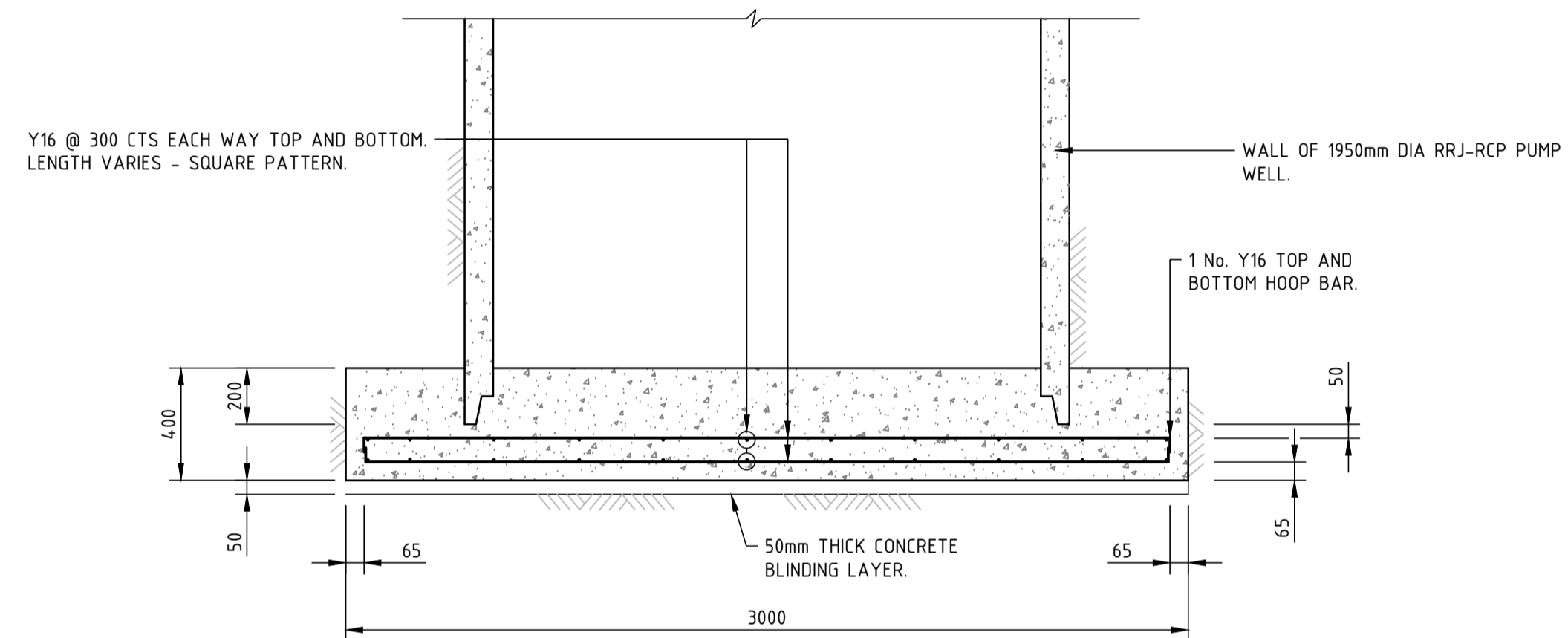


**PUMP STATION TOP SLAB COVER DETAIL**  
SCALE 1:20  
(TYPICAL TOP AND REINFORCEMENT LAYERS)

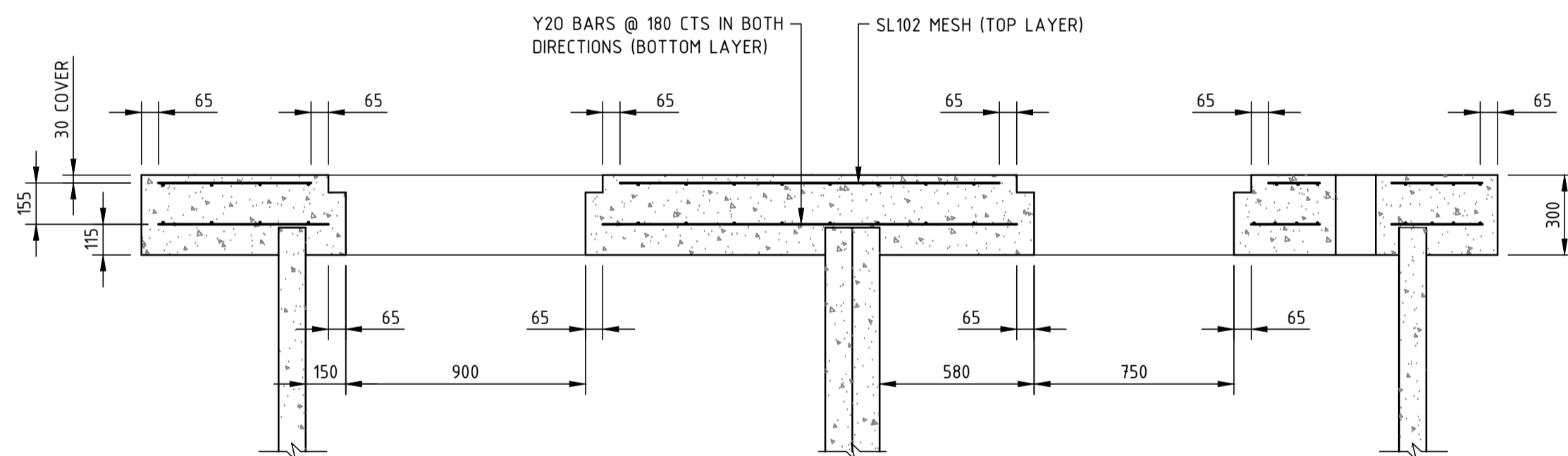


**VALVE PIT BASE SLAB DETAIL**  
SCALE 1:20



**PUMP WELL BASE SLAB DETAIL**  
SCALE 1:20

**NOTE:**  
GOULBURN VALLEY WATER'S  
"SEWAGE PUMP STATION DESIGN MANUAL"  
MUST BE READ IN CONJUNCTION WITH THIS  
DRAWING.

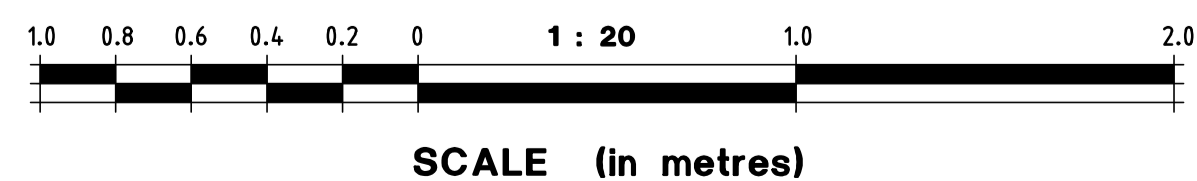


**SECTION 2**  
SCALE 1:20

**NOTE !**  
METHOD OF FIXING CONNECTION  
BETWEEN PIPE SECTIONS (BOTH  
VALVE PIT & PUMP WELL) &  
TOP SLAB TO BE NOMINATED  
BY DESIGNER.

**GENERAL NOTES**

- ALL STRUCTURAL CONCRETE TO BE 35 MPa (AT 28 DAYS) AND CONTAIN TYPE 'D' (SULPHIDE RESISTANT) CEMENT
- FOOTINGS TO BE FOUNDED IN UNDISTURBED GROUND HAVING A SAFE BEARING CAPACITY OF 100kpa
- THE MECHANICAL/ELECTRICAL CONTRACTOR SHALL CONFIRM CONDUIT LOCATIONS PRIOR TO THE CIVIL CONTRACTOR COMMENCING HIS INSTALLATION. CONDUITS SHALL BE INSTALLED 750mm BELOW SURFACE LEVEL.
- ALL WORKMANSHIP AND MATERIALS SHALL BE IN ACCORDANCE WITH THE SPECIFICATION.
- MINIMUM COVER TO THE REINFORCEMENT FOR CONCRETE CAST AGAINST FORMED SURFACES SHALL BE 50mm. MINIMUM COVER FOR CONCRETE CAST AGAINST THE GROUND SHALL BE 65mm.
- EXPOSED CONCRETE CORNERS AND EDGES SHALL HAVE 20mm CHAMFERS UNLESS NOTED OTHERWISE. RE-ENTRANT CORNERS SHALL HAVE NO FILLETS.
- ALL REINFORCEMENT SHALL BE SUPPORTED IN ITS CORRECT POSITION DURING PLACEMENT OF CONCRETE WITH APPROVED BAR CHAIRS, SPACERS, SUPPORT BARS, TYING WIRE, ETC., TO THE SATISFACTION OF THE SUPERINTENDENT.
- REINFORCEMENT IS REPRESENTED DIAGRAMMATICALLY AND NOT NECESSARILY SHOWN IN TRUE PROJECTION.



- NOTES**
- ALL DIMENSIONS ARE IN MILLIMETRES UNLESS OTHERWISE NOTED.
  - A 20MPa CONCRETE THRUST OR SUPPORT BLOCK TO BE CONSTRUCTED BEHIND ALL BENDS, TEES, VALVES & BLANK-ENDS ON ALL SEWER RISING MAINS - AS PER STANDARD DETAIL.
  - THIS DRAWING TO BE READ IN CONJUNCTION WITH DRAWING No. STD/6.
  - ALL LEVELS IN METRES AND TO A.H.D.

REV.	AMENDMENT DESCRIPTION	BY	APP.	DATE

**COPYRIGHT**  
INFORMATION CONTAINED ON THIS DRAWING IS THE PROPERTY OF GOULBURN VALLEY WATER. NO PART OF THIS DRAWING IS TO BE REPRODUCED OR TRANSMITTED IN ANY FORM OR BY ANY MEANS WITHOUT PERMISSION IN WRITING.



104-110 FRYERS STREET, SHEPPARTON, 3630  
(P.O. BOX 185, SHEPPARTON, 3632)  
PH. (03) 5832 0400 FAX. (03) 5831 1467  
www.gvwater.vic.gov.au

SCALE  
AS SHOWN

DESIGN	DRAWN	CHECKED	ORIGINAL SIGNED BY	APPROVED	ORIGINAL SIGNED BY
-	C. TREWIN	-	M. WELK	-	M. WELK
SURVEYED	DATE	DATE	10/07/2018	DATE	10/07/2018

**SEWAGE PUMP STATION  
STRUCTURAL DETAILS**

CAD: PUMP STATION\_STD-6 & 7

SHEET	2	OF	2
GLA No.	-		

REVISION	-
DRAWING NUMBER	STD/7