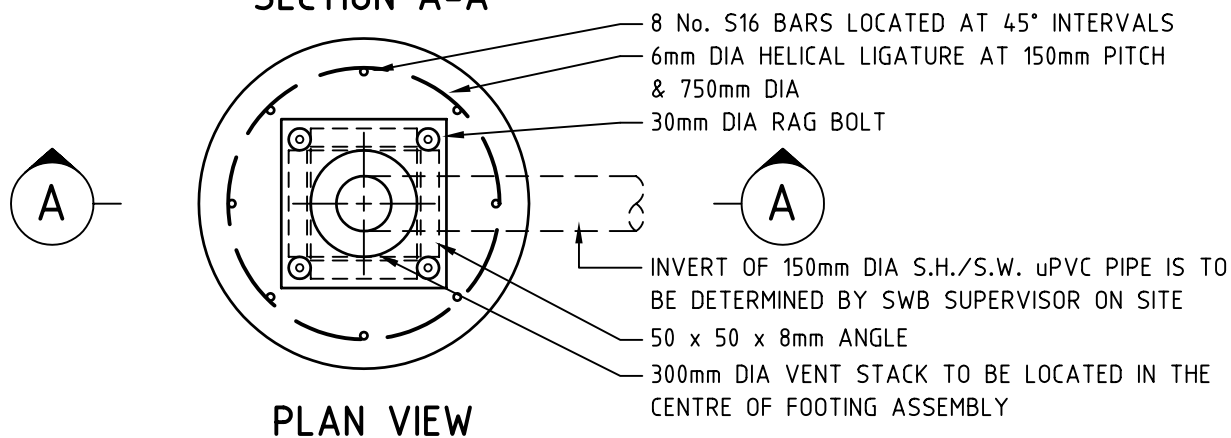


**SECTION A-A**



**PLAN VIEW**

**NOTE:**

1. 900mm DIA HOLE TO BE BORED FOR FOOTING.
2. ENSURE 75mm COVER TO ALL REINFORCEMENT.
3. 20 MPa CONCRETE TO BE USED.
4. SOIL BEARING STRENGTH TO BE A MINIMUM OF 55 KPa & SWB SUPERVISOR TO ENSURE ADEQUATE SOIL CONDITIONS.
5. IF SWITCHBOARD, CABLE OR OTHER LOAD IS TO ADDED TO STACK, THE FOOTING MUST BE DEEPENED.
6. FOOTING EXCAVATION IS TO BE INSPECTED BY SWB SUPERVISOR PRIOR TO THE POURING OF CONCRETE.



104-110 FRYERS ST.  
SHEPPARTON  
P.O. BOX 185  
PH. 058 320400  
FAX. 058 311467

**STANDARD DETAIL FOR  
FOOTINGS & RAG BOLT  
ASSEMBLY FOR VENT STACK**

<b>APPROVED</b>	
<b>REFERENCE No.</b> <b>S/9</b>	
<b>SCALE</b> 1 : 20	<b>DRAWN</b> <i>[Signature]</i>
<b>DATE</b>	<b>SHEET 1 OF 1</b>
	<b>GLA No.</b>