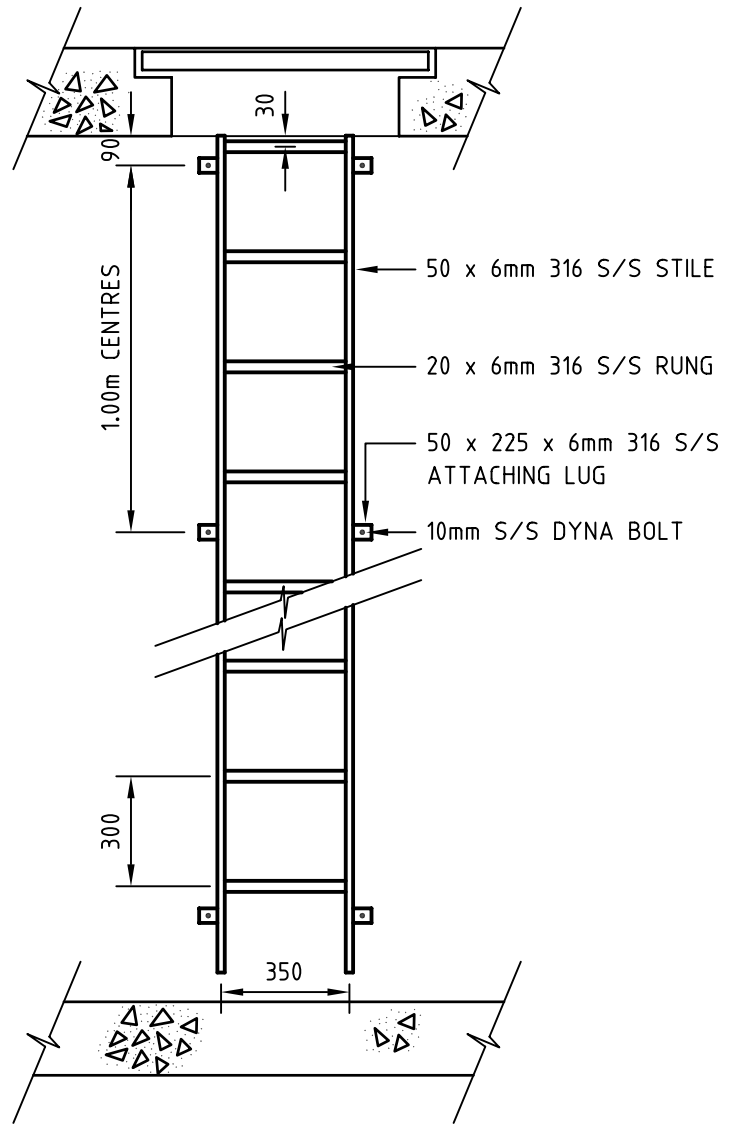


SIDE ELEVATION



FRONT ELEVATION

NOTE

ALL DIMENSIONS IN MILLIMETRES UNLESS NOTED OTHERWISE



104-110 FRYERS ST.
SHEPPARTON

P.O. BOX 185
PH. 058 320400
FAX. 058 311467

STANDARD DIMENSIONS &
INSTALLATION OF PUMP
STATION PUMP WELL LADDER

SCALE

1 : 20

DRAWN

DATE

[Signature]

APPROVED

REFERENCE No.

S/8

SHEET 1 OF 1

GLA No.