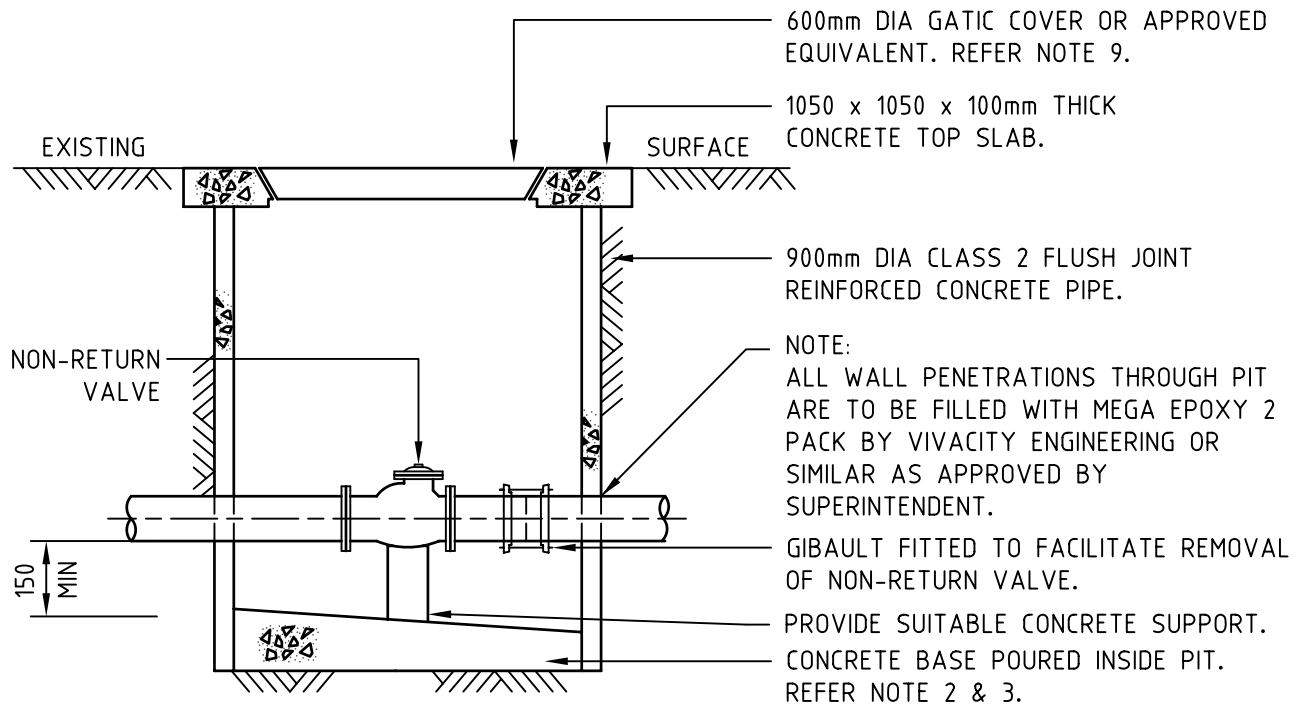


**DO NOT SCALE DRAWING**



**NOTE:**

1. ALL CONCRETE USED TO BE 20 MPa.
2. BASE IS TO SLOPE TOWARDS ONE SIDE OF PIT.
3. MINIMUM THICKNESS OF THE BASE IS TO BE 75mm.
6. ALL FLANGES TO BE DRILLED TO A.S.2129 TABLE "C".
7. ALL COMPONENTS SHALL BE FBE COATED AND JOINED WITH 316 STAINLESS STEEL BOLTS.
8. PROVIDE SUFFICIENT ACCESS FOR OPERATION AND MAINTENANCE OF NON-RETURN VALVE.
9. ACCESS COVERS TO CONFORM TO AS 3996:
  - CLASS "B" FOR NON TRAFFICABLE AREAS
  - CLASS "D" FOR TRAFFICABLE AREAS
10. COVERS & FRAMES TO BE GREASED UPON INSTALLATION.

Z: \STANDARD\S-19



104-110 FRYERS STREET, SHEPPARTON, 3630  
 (P.O. BOX 185, SHEPPARTON, 3632)  
 PH. (03) 5832 0400 FAX. (03) 5831 1467

STANDARD DRAWING  
 SEWER RISING MAIN  
 NON-RETURN PIT

SHEET 1 OF 1

REVISION  
 -

DRAWING NUMBER  
 S/19

SCALE

1: 20

DRAWN

D. BRIGGS

APPROVED

S.NASH

DATE

MARCH 2007

DATE

MARCH 2007